

# HTT-B4HB000000N000



NOVUX™ Hardened Tap Terminal, 90/10, 19 dB, One Input port, 4 drop ports and one Through port, Stubless

- NOVUX™ Hardened Tap Terminals incorporate hardened connector technology that is designed to withstand the rugged outside plant environment
- Hardened connectors are factory-integrated and environmentally sealed for use in optical drop cable deployments
- Plug and play adapter ports ensure rapid cable installment in the outside plant access section of the network
- NOVUX™ HTT terminals are available in 2-port, 4-port and 8-port models, depending on the number of drop ports required. Each model is available with a range of tap values depending on how much optical power should be dropped off at each location
- Available with flat dielectric and flat toneable/locatable dielectric cable
- NOVUX™ smaller terminal size for aesthetics and allowing installation in constrained spaces
- NOVUX™ terminals are available in Black (RAL# 9005) or Gray (RAL# 7035)
- CommScope Product ID plate with QR code link to product documents and C-Track

## Product Classification

<b>Regional Availability</b>	Asia   EMEA   Latin America   North America
<b>Product Type</b>	Access terminal, with splitter/tap
<b>Product Brand</b>	NOVUX™
<b>Product Series</b>	HTT
<b>Minimum Order Quantity</b>	1

## General Specifications

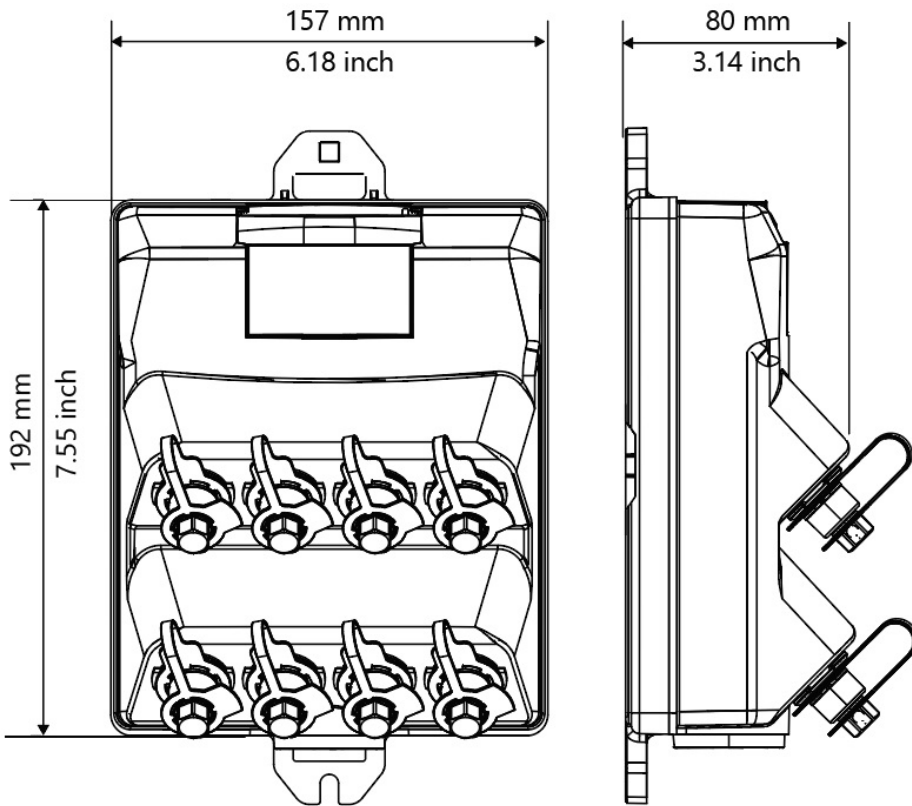
<b>Distribution Type</b>	4-port tap
<b>Drop Port Type</b>	Hardened full-size SC/APC
<b>Enclosure Color</b>	Black (RAL 9005)
<b>Input Tap, quantity</b>	1
<b>Mounting</b>	Handhole   Pedestal   Pole   Strand
<b>Port Type</b>	Hardened full-size SC/APC
<b>Split Ratio</b>	90/10
<b>Stub Type</b>	No tail
<b>Tap Ports, quantity</b>	4
<b>Thru Tap, quantity</b>	1

# HTT-B4HB000000N000

## Dimensions

<b>Height</b>	80 mm   3.15 in
<b>Width</b>	95 mm   3.74 in
<b>Length</b>	192 mm   7.559 in
<b>Cable Length, stub</b>	0 ft (0 m)

## Dimension Drawing

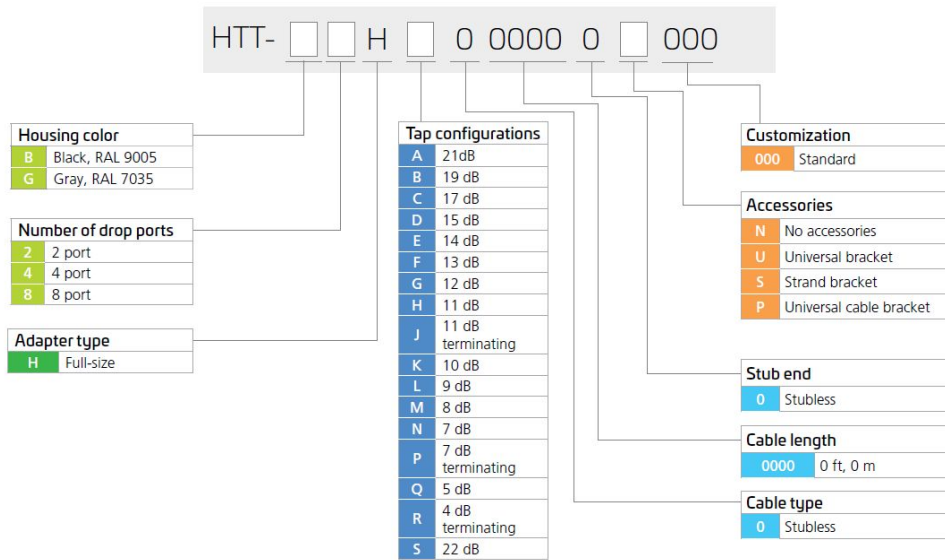


## Port Configuration

NOVUX HT	TECHNOLOGIES AVAILABLE	SMALL	MEDIUM	LARGE
HTT Series	Optical taps	2 drops	4 drops	8 drops

## Ordering Tree

# HTT-B4HB000000N000



## Material Specifications

**Enclosure Material Type** Hardened plastic

## Optical Specifications

**Operating Wavelength Range** 1260 – 1635 nm

**Tap Drop Loss, maximum** 19.2 dB

**Tap Thru Loss, maximum** 1.6 dB

**Tap Value** 19 dB

## Environmental Specifications

**Operating Temperature** -40 °C to +65 °C (-40 °F to +149 °F)

**Relative Humidity** 5%–100%, condensing

**Environmental Space** Above ground | Below ground

**Qualification Standards** IEC 60529, IP68 + 2 m waterhead | IEC 61753-1, category G

**UV Resistance** UV stabilized

## Packaging and Weights

**Packaging quantity** 1

**Packaging Type** Box | Carton

## Regulatory Compliance/Certifications

# HTT-B4HB000000N000

---

**Agency**

CHINA-ROHS

ISO 9001:2015

REACH-SVHC

ROHS

UK-ROHS

**Classification**

Below maximum concentration value

Designed, manufactured and/or distributed under this quality management system

Compliant as per SVHC revision on [www.commscope.com/ProductCompliance](http://www.commscope.com/ProductCompliance)

Compliant

Compliant

