

LSA-PLUS® PCB Series

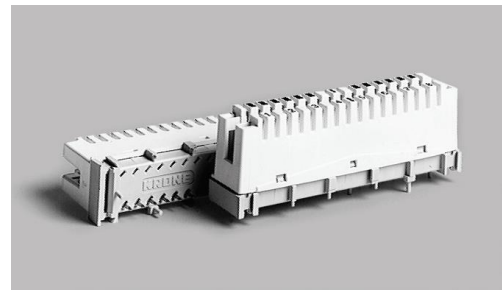
Copper connectivity modules

PCB-PWB series represent connectors for printed circuit board in which copper conductors are terminated using the LSA-PLUS® Quick Connection System.

LSA-PLUS® Series 2 PCB Disconnection Modules

The LSA-PLUS® S2 PCB disconnection modules are available with pins in one or two rows. The module with two pin-rows is designed, for example, for ring-circuit applications. When idle, the circuit is closed over the disconnection point. If a plug is inserted the circuit is opened and led over the cord. The disconnection point can accommodate overvoltage protection components with graded protection (primary and secondary protection).

Housing colour: cream-white



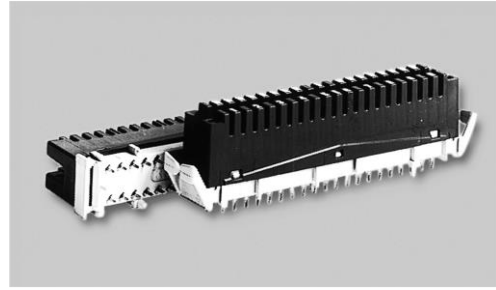
Product offering – Disconnection Modules

Order No.	Description	Weight Pack	Pack
8-pair disconnection module			
66931004-04	LSA-PLUS® PCB-Disconnection modules 2/8. Pins in row 1 without jumper guides	0.480 kg	10 pieces
10-pair disconnection module			
67281004-00	LSA-PLUS® PCB-Disconnection module 2/10. Pins in row 1	0.600 kg	10 pieces
67281004-01	LSA-PLUS® PCB-Disconnection module 2/10. Pins in row 1 with jumper guides	0.600 kg	10 pieces
67281004-04	LSA-PLUS® PCB-Disconnection module 2/10. Pins in row 1 and 2	0.600 kg	10 pieces
67281004-05	LSA-PLUS® PCB-Disconnection module 2/10. Pins in row 1 and 2, with jumper guides	0.600 kg	10 pieces

LSA-PLUS® Series 2 PCB Switching Module

The LSA-PLUS® S2 PCB switching module is designed for the termination of up to 40 lines. The single-row soldering pin version of the switching module may be used for overvoltage protection applications.

Housing colour: brown



Product offering – Switching Modules

Order No.	Description	Weight Pack	Pack
10-pair disconnection module			
67281005-05	LSA-PLUS® PCB-Switching modules 2/10. Pins in row 1 and 2, with jumper guides	0.480 kg	10 pieces

PCB Earth Contact

The LSA-PLUS® S2 PCB earth contact for installation on printed circuit boards is used in conjunction with overvoltage protection components. (2pcs per module).



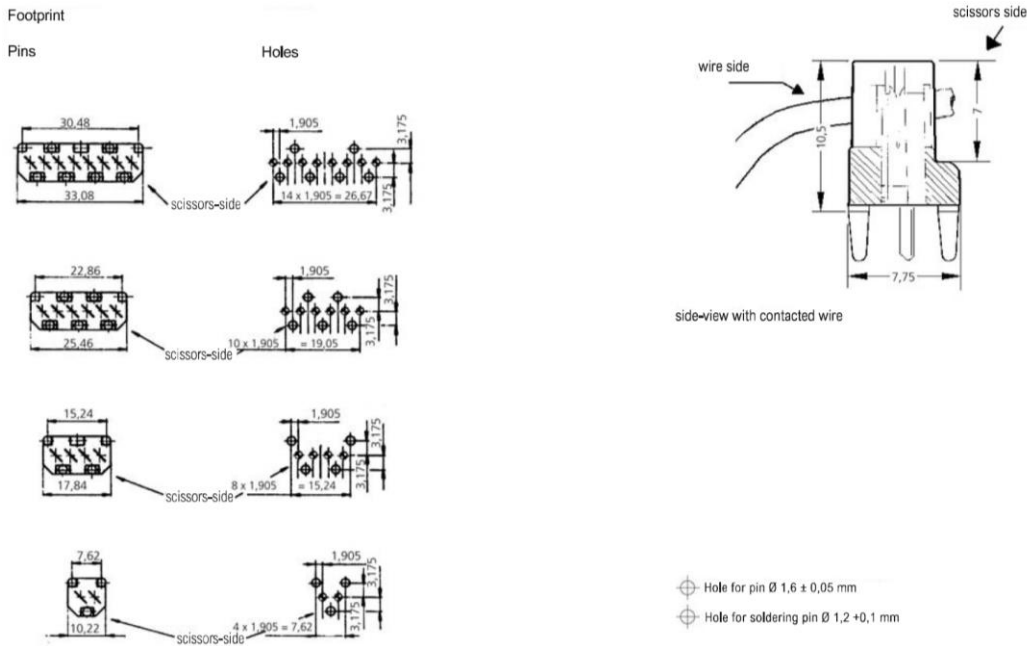
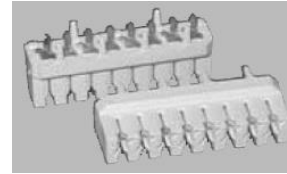
Product offering

Order No.	Description	Pack
66933003-00	PCB earth contact	1 piece

LSA-PLUS® PCB Series 4

- For soldering onto printed circuit boards
- The LSA-PLUS® insertion tool compatible
- PCB thickness max.1.6 mm
- Pitch: 3.81 mm

Housing colour: white



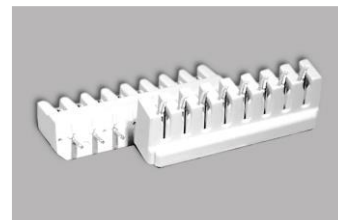
Product offering – LSA-PLUS® PCB Series 4

Order No.	Description	Pack
9-60481007-04	LSA-PLUS® Connection, module 4/4, 4-pole, RM 3.81 mm	1000 pcs
9-60481007-06	LSA-PLUS® Connection, module 4/6, 6-pole, RM 3.81 mm	1000 pcs
9-60481007-08	LSA-PLUS® Connection, module 4/8, 8-pole, RM 3.81 mm	1000 pcs

PCB-PLUS Standard Printed Circuit Board Module

- For soldering onto printed circuit boards
- For terminating Cat.5(e) (100 MHz) copper cables to LSA-PLUS contacts
- The LSA-PLUS® insertion tool with sensor is used for connection
- PCB thickness max.1.6 mm
- Pitch: 3.81 mm

Housing colour: white

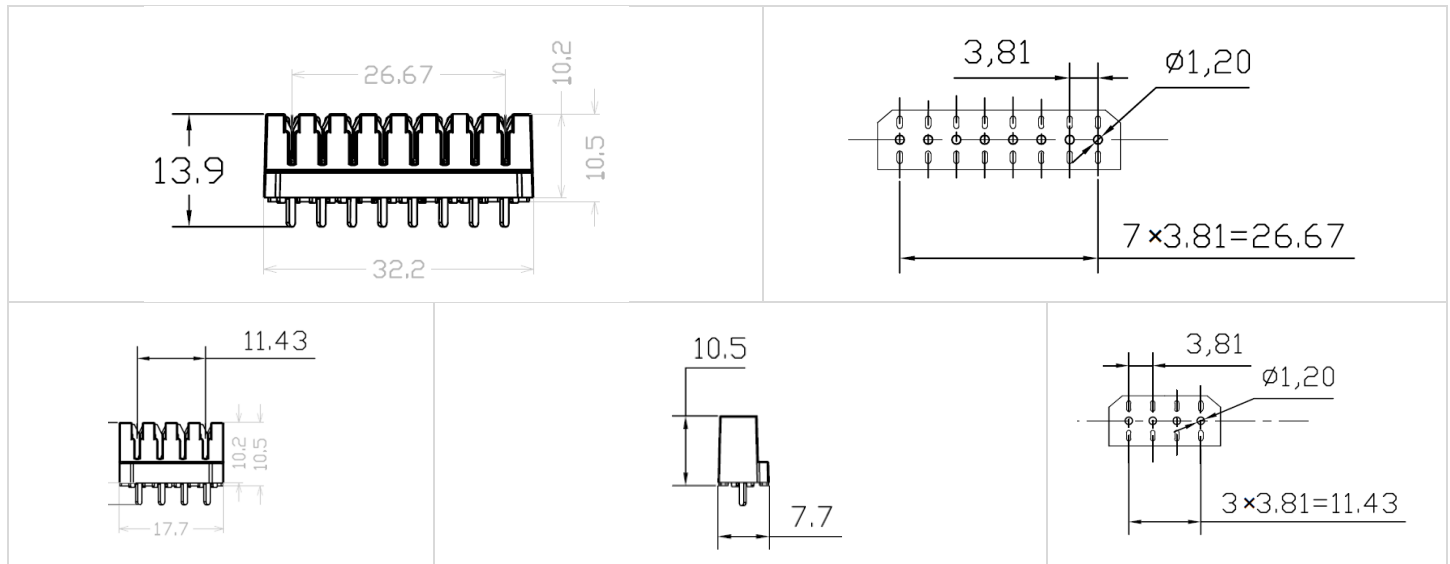


Specification

- Dimensions (W x H x D) in mm:
 - 4-pole: 17.7 x 10.2 x 7.75
 - 8-pole: 32.2 x 10.2 x 7.75
- Conductor diameter range: 0.35-0.65 mm
- Plastic: PC
- Flammability class: Satisfies UL 94V-0
- Contact material: Silver-plated bronze

Product offering – PCB-PLUS Standard Printed Circuit Board Module

Order No.	Description	Pack
9-60481080-01	PCB-PLUS module 8-pole, without printing	1000 pcs
9-60481090-01	PCB-PLUS module 4-pole, without printing	1000 pcs



COMMSCOPE®

commscope.com

Visit our website or contact your local c for more information.

© 2022 CommScope, Inc. All rights reserved.

Unless otherwise noted, all trademarks identified by ® or ™ are registered trademarks, respectively, of CommScope, Inc. This document is for planning purposes only and is not intended to modify or supplement any specifications or warranties relating to CommScope products or services. CommScope is committed to the highest standards of business integrity and environmental sustainability with a number of CommScope's facilities across the globe certified in accordance with international standards, including ISO 9001, TL 9000, and ISO 14001.

Further information regarding CommScope's commitment can be found at www.commscope.com/About-Us/Corporate-Responsibility-and-Sustainability.

PA-113154.2-EN (4/22)